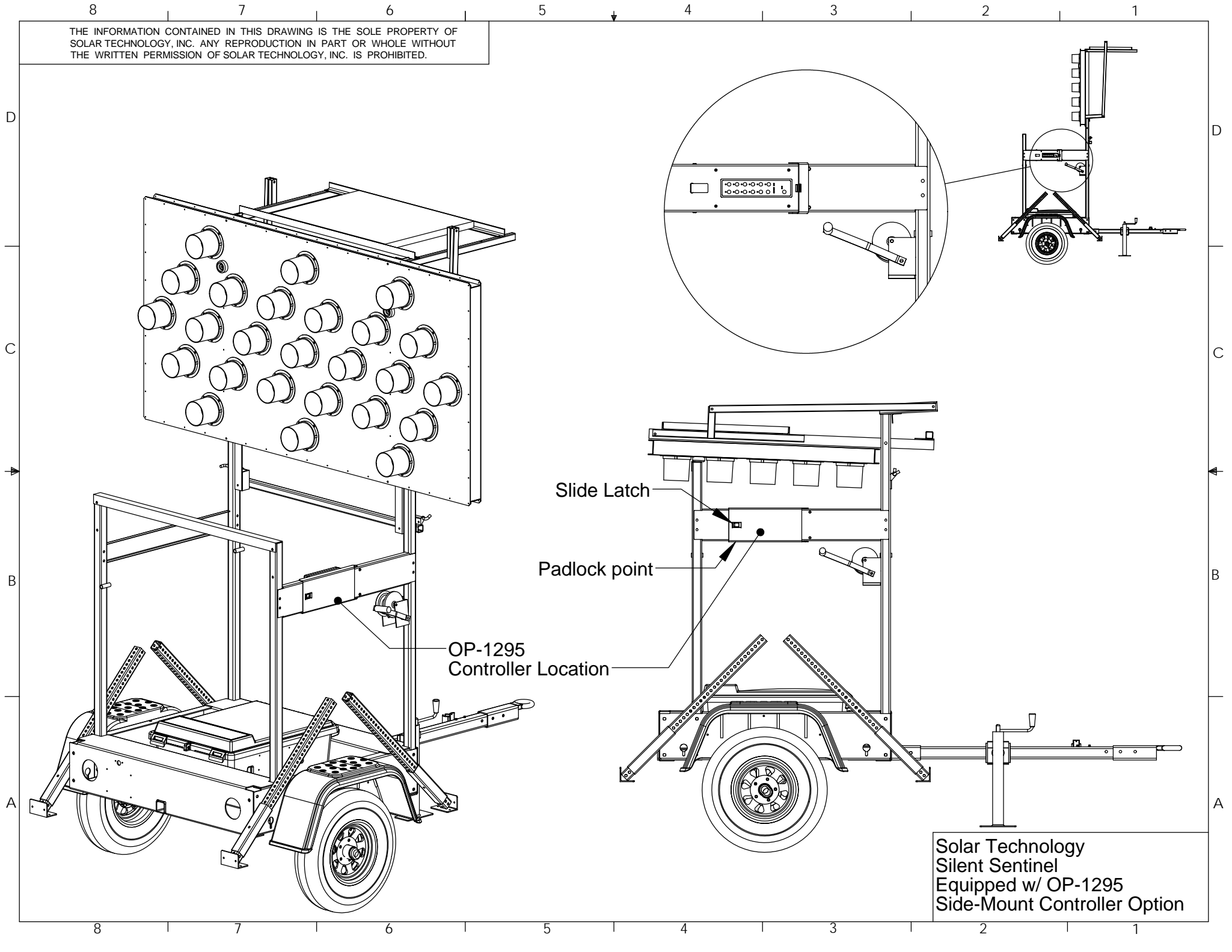


THE INFORMATION CONTAINED IN THIS DRAWING IS THE SOLE PROPERTY OF SOLAR TECHNOLOGY, INC. ANY REPRODUCTION IN PART OR WHOLE WITHOUT THE WRITTEN PERMISSION OF SOLAR TECHNOLOGY, INC. IS PROHIBITED.



Solar Technology  
Silent Sentinel  
Equipped w/ OP-1295  
Side-Mount Controller Option

