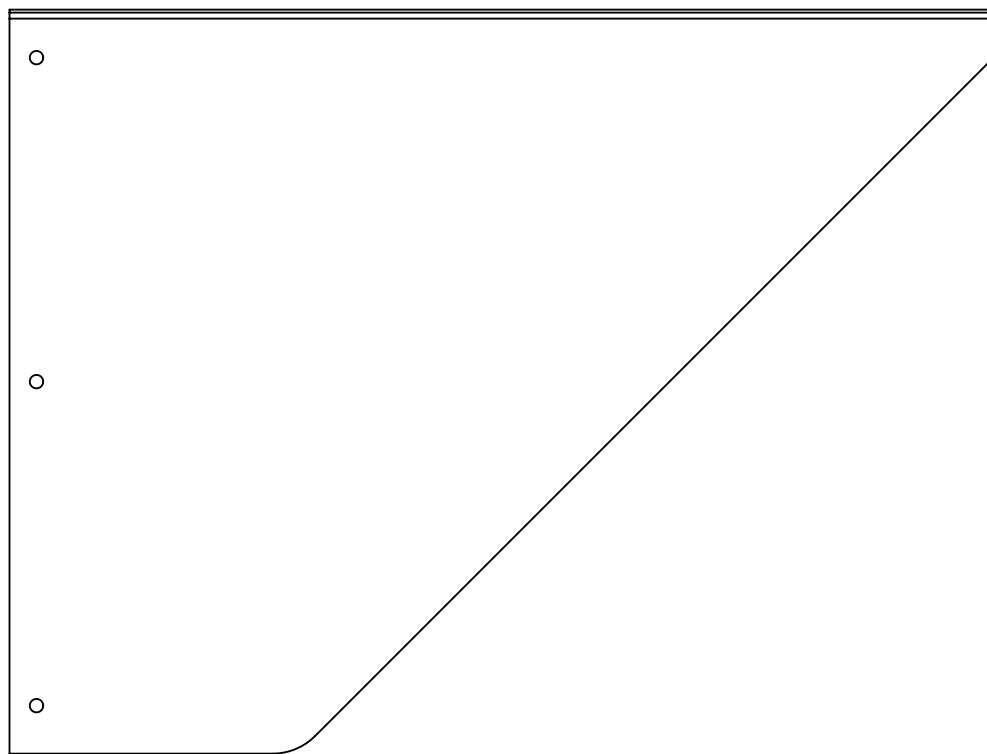


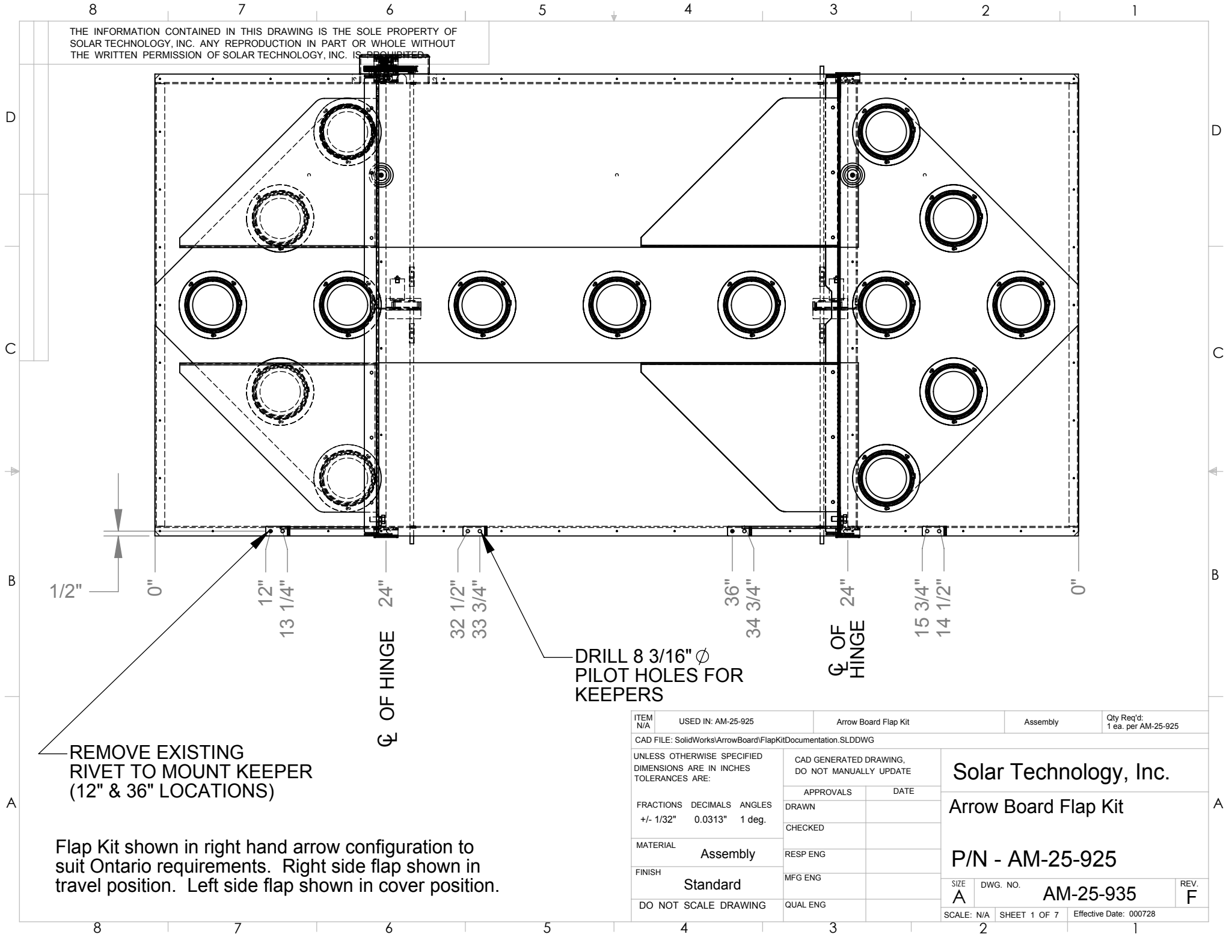
THE INFORMATION CONTAINED IN THIS DRAWING IS THE SOLE PROPERTY OF SOLAR TECHNOLOGY, INC. ANY REPRODUCTION IN PART OR WHOLE WITHOUT THE WRITTEN PERMISSION OF SOLAR TECHNOLOGY, INC. IS PROHIBITED.



Left Hand Flap Shown.
Right Hand Flap Opposite.

ITEM N/A	USED IN: Flap Kit Assembly	Left Hand Flap (Right Hand Opp)	1/8" Thick Aluminum Sheet	Qty Req'd: 2 ea. per Flap Kit (L&R)	
CAD FILE: SolidWorks\ArrowBoard\FlapKitDocumentation.SLDDWG					
UNLESS OTHERWISE SPECIFIED DIMENSIONS ARE IN INCHES TOLERANCES ARE:		CAD GENERATED DRAWING, DO NOT MANUALLY UPDATE		Solar Technology, Inc. Left Hand Flap (Right Hand Opp) P/N - 110-825-330 (left) 110-825-332 (right)	
FRACTIONS	DECIMALS	ANGLES	APPROVALS		DATE
+/- 1/32"	0.0313"	1 deg.	DRAWN		
MATERIAL: Aluminum Sheet 1/8" Thick			CHECKED		
FINISH	Standard		RESP ENG		
DO NOT SCALE DRAWING			MFG ENG		
		QUAL ENG			
SIZE A	DWG. NO. AM-25-935	REV. F	SCALE: N/A SHEET 4 OF 7 Effective Date: 000727		

THE INFORMATION CONTAINED IN THIS DRAWING IS THE SOLE PROPERTY OF SOLAR TECHNOLOGY, INC. ANY REPRODUCTION IN PART OR WHOLE WITHOUT THE WRITTEN PERMISSION OF SOLAR TECHNOLOGY, INC. IS PROHIBITED.



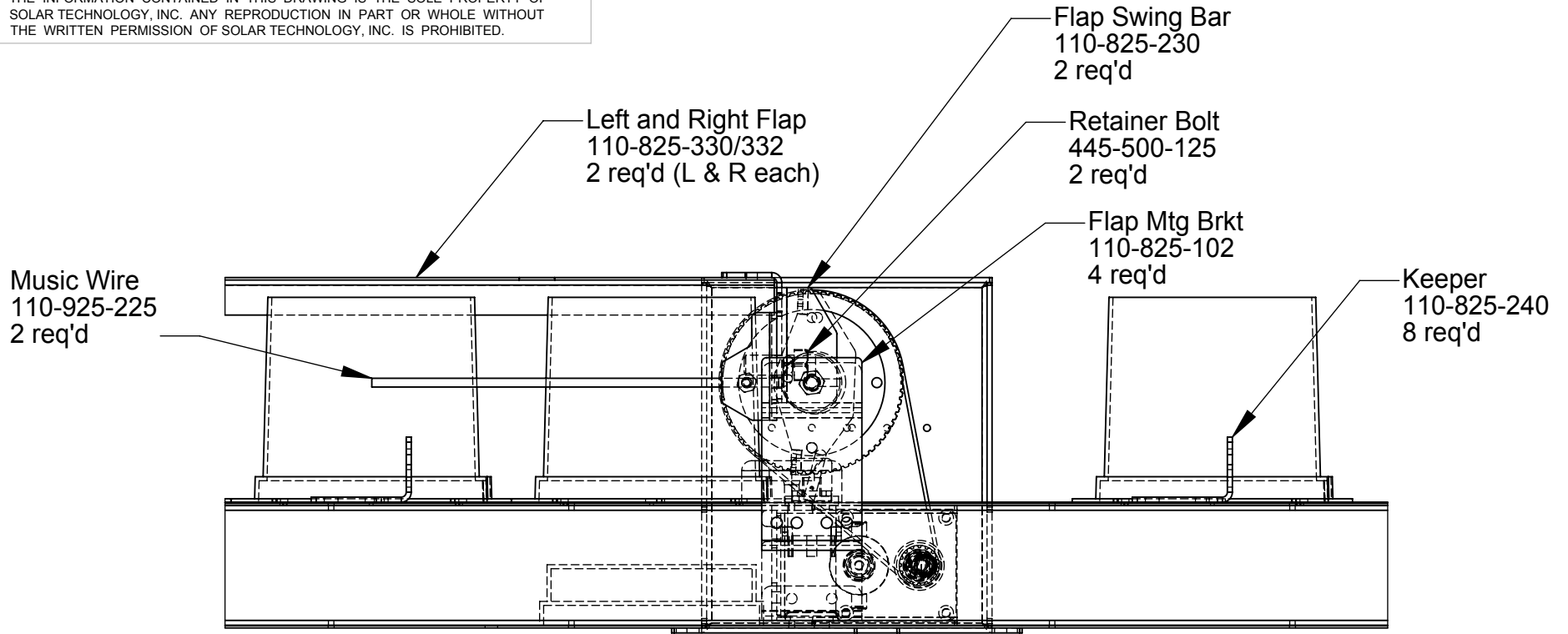
REMOVE EXISTING RIVET TO MOUNT KEEPER (12" & 36" LOCATIONS)

DRILL 8 3/16" Ø PILOT HOLES FOR KEEPERS

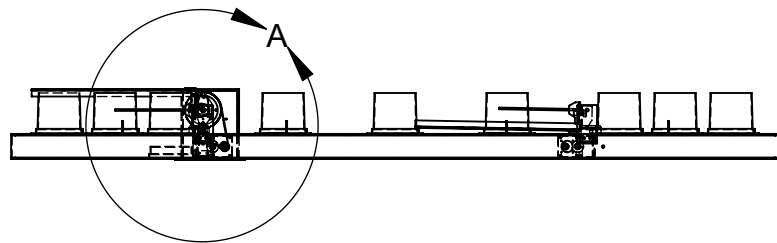
Flap Kit shown in right hand arrow configuration to suit Ontario requirements. Right side flap shown in travel position. Left side flap shown in cover position.

ITEM N/A	USED IN: AM-25-925	Arrow Board Flap Kit	Assembly	Qty Req'd: 1 ea. per AM-25-925
CAD FILE: SolidWorks/ArrowBoard/FlapKit/Documentation.SLDDWG				
UNLESS OTHERWISE SPECIFIED DIMENSIONS ARE IN INCHES TOLERANCES ARE:		CAD GENERATED DRAWING, DO NOT MANUALLY UPDATE		Solar Technology, Inc.
FRACTIONS DECIMALS ANGLES +/- 1/32" 0.0313" 1 deg.		APPROVALS	DATE	
MATERIAL Assembly		DRAWN		P/N - AM-25-925
FINISH Standard		CHECKED		
DO NOT SCALE DRAWING		RESP ENG		SCALE: N/A SHEET 1 OF 7 Effective Date: 000728
		MFG ENG		
		QUAL ENG		

THE INFORMATION CONTAINED IN THIS DRAWING IS THE SOLE PROPERTY OF SOLAR TECHNOLOGY, INC. ANY REPRODUCTION IN PART OR WHOLE WITHOUT THE WRITTEN PERMISSION OF SOLAR TECHNOLOGY, INC. IS PROHIBITED.



DETAIL A
SCALE 1 : 4



Bottom View

ITEM N/A	USED IN: AM-25-925	Arrow Board Flap Kit	Assembly	Qty Req'd: 1 ea. per AM-25-925		
CAD FILE: SolidWorks/ArrowBoard/FlapKit/Documentation.SLDDWG						
UNLESS OTHERWISE SPECIFIED DIMENSIONS ARE IN INCHES TOLERANCES ARE:		CAD GENERATED DRAWING, DO NOT MANUALLY UPDATE		Solar Technology, Inc. Arrow Board Flap Kit		
FRACTIONS +/- 1/32"	DECIMALS 0.0313"	ANGLES 1 deg.	APPROVALS		DATE	
MATERIAL Assembly		DRAWN		P/N - AM-25-925		
FINISH Standard		CHECKED				
DO NOT SCALE DRAWING		RESP ENG				
		MFG ENG		SIZE A	DWG. NO. AM-25-935	REV. F
		QUAL ENG		SCALE: N/A	SHEET 2 OF 7	Effective Date: 000728

THE INFORMATION CONTAINED IN THIS DRAWING IS THE SOLE PROPERTY OF SOLAR TECHNOLOGY, INC. ANY REPRODUCTION IN PART OR WHOLE WITHOUT THE WRITTEN PERMISSION OF SOLAR TECHNOLOGY, INC. IS PROHIBITED.

D

D

C

C

B

B

A

A



C OF PANEL
(SYMM.)

ITEM N/A	USED IN: AM-25-925	Reflective Sheeting Skin	512-005-006	Qty Req'd: 2 ea. per AM-25-925
CAD FILE: SolidWorks\ArrowBoard\FlapKitDocumentation.SLDDWG				
UNLESS OTHERWISE SPECIFIED DIMENSIONS ARE IN INCHES TOLERANCES ARE:		CAD GENERATED DRAWING, DO NOT MANUALLY UPDATE		Solar Technology, Inc.
FRACTIONS +/- 1/32"	DECIMALS 0.0313"	ANGLES 1 deg.	APPROVALS	
MATERIAL 512-005-006		DRAWN		Reflective Sheeting Skin
FINISH Standard		CHECKED		
DO NOT SCALE DRAWING		RESP ENG		P/N - N/A
		MFG ENG		
		QUAL ENG		SIZE A
				DWG. NO. AM-25-935
				REV. F
				SCALE: N/A
				SHEET 3 OF 7
				Effective Date: 000728

8

7

6

5

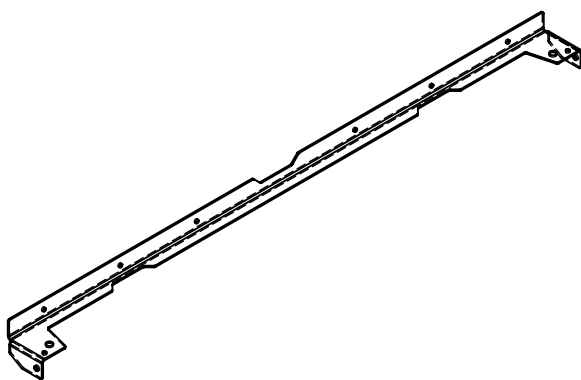
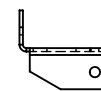
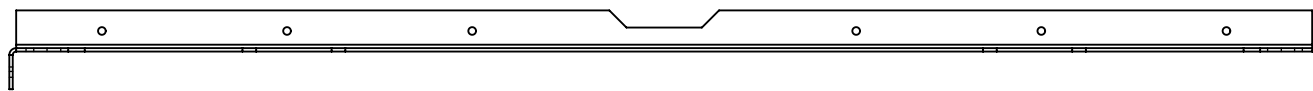
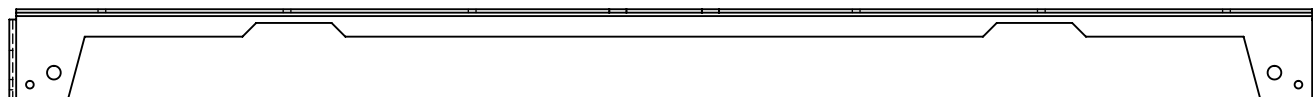
4

3

2

1

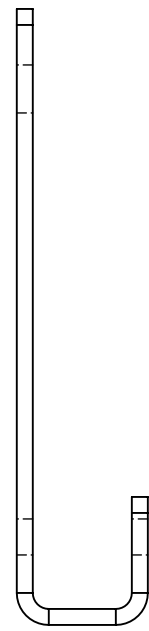
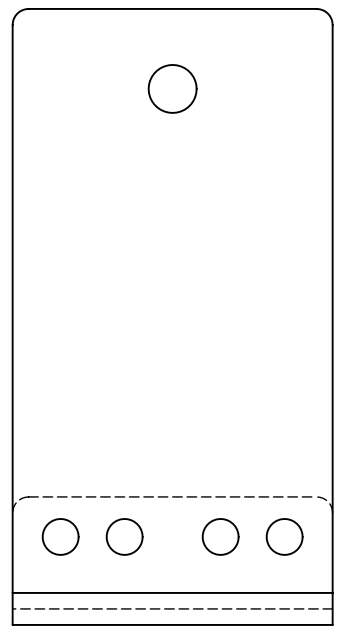
THE INFORMATION CONTAINED IN THIS DRAWING IS THE SOLE PROPERTY OF SOLAR TECHNOLOGY, INC. ANY REPRODUCTION IN PART OR WHOLE WITHOUT THE WRITTEN PERMISSION OF SOLAR TECHNOLOGY, INC. IS PROHIBITED.



ITEM N/A	USED IN: AM-25-925	Flap Swing Bar	1/8" Thick Aluminum	Qty Req'd: 2 ea. per AM-25-925	
CAD FILE: SolidWorks\ArrowBoard\FlapKitDocumentation.SLDDWG					
UNLESS OTHERWISE SPECIFIED DIMENSIONS ARE IN INCHES TOLERANCES ARE:		CAD GENERATED DRAWING, DO NOT MANUALLY UPDATE		Solar Technology, Inc. Flap Swing Bar P/N - 110-825-230 SIZE A DWG. NO. AM-25-935 REV. F	
FRACTIONS +/- 1/32"	DECIMALS 0.0313"	ANGLES 1 deg.	APPROVALS		DATE
			DRAWN		
			CHECKED		
			RESP ENG		
MATERIAL	1/8" Thick Aluminum		MFG ENG		
FINISH	Standard		QUAL ENG		
DO NOT SCALE DRAWING				SCALE: N/A SHEET 5 OF 7 Effective Date: 000728	

8 7 6 5 4 3 2 1

THE INFORMATION CONTAINED IN THIS DRAWING IS THE SOLE PROPERTY OF SOLAR TECHNOLOGY, INC. ANY REPRODUCTION IN PART OR WHOLE WITHOUT THE WRITTEN PERMISSION OF SOLAR TECHNOLOGY, INC. IS PROHIBITED.



ITEM N/A	USED IN: AM-25-925	Flap Mounting Bracket	1/8" Thick Aluminum	Qty Req'd: 4 ea. per AM-25-925
CAD FILE: SolidWorks\ArrowBoard\FlapKit\Documentation.SLDDWG				
UNLESS OTHERWISE SPECIFIED DIMENSIONS ARE IN INCHES TOLERANCES ARE:		CAD GENERATED DRAWING, DO NOT MANUALLY UPDATE		Solar Technology, Inc.
		APPROVALS	DATE	
FRACTIONS	DECIMALS	ANGLES	DRAWN	Flap Mounting Bar
+/- 1/32"	0.0313"	1 deg.	CHECKED	
MATERIAL	1/8" Thick Aluminum		RESP ENG	
FINISH	Standard		MFG ENG	P/N - 110-825-102
DO NOT SCALE DRAWING		QUAL ENG		
SIZE A	DWG. NO. AM-25-935	REV. F		
SCALE: N/A	SHEET 6 OF 7	Effective Date: 000728		

D

D

C

C

B

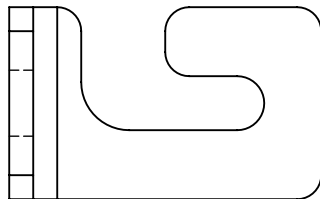
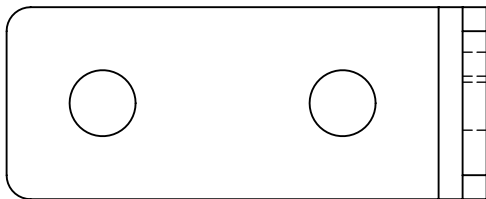
B

A

A

8 7 6 5 4 3 2 1

THE INFORMATION CONTAINED IN THIS DRAWING IS THE SOLE PROPERTY OF SOLAR TECHNOLOGY, INC. ANY REPRODUCTION IN PART OR WHOLE WITHOUT THE WRITTEN PERMISSION OF SOLAR TECHNOLOGY, INC. IS PROHIBITED.

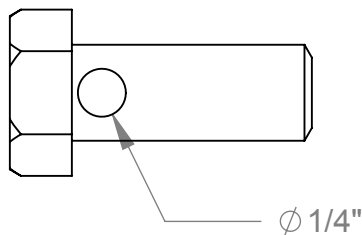


Flap Keeper (4 req'd)
110-825-240
1/8" Thick Aluminum



Spring Handle (2 req'd)
110-925-225
7/8" dia Music Wire
017-008-219

Retainer Bolt (2 req'd)
445-500-125



ITEM N/A	USED IN: AM-25-925	Keeper, Retainer Bolt, and Spring Handle	See Notes	Qty Req'd: See Notes	
CAD FILE: SolidWorks\ArrowBoard\FlapKitDocumentation.SLDDWG					
UNLESS OTHERWISE SPECIFIED DIMENSIONS ARE IN INCHES TOLERANCES ARE:		CAD GENERATED DRAWING, DO NOT MANUALLY UPDATE		Solar Technology, Inc. Keeper, Retainer Bolt, and Spring Handle P/N - 110-925-225 110-825-240	
FRACTIONS	DECIMALS	ANGLES	APPROVALS		DATE
+/- 1/32"	0.0313"	1 deg.	DRAWN		
MATERIAL			CHECKED		
FINISH			RESP ENG		
DO NOT SCALE DRAWING			MFG ENG		
			QUAL ENG		
SIZE A		DWG. NO. AM-25-935		REV. F	
SCALE: N/A		SHEET 7 OF 7		Effective Date: 000728	