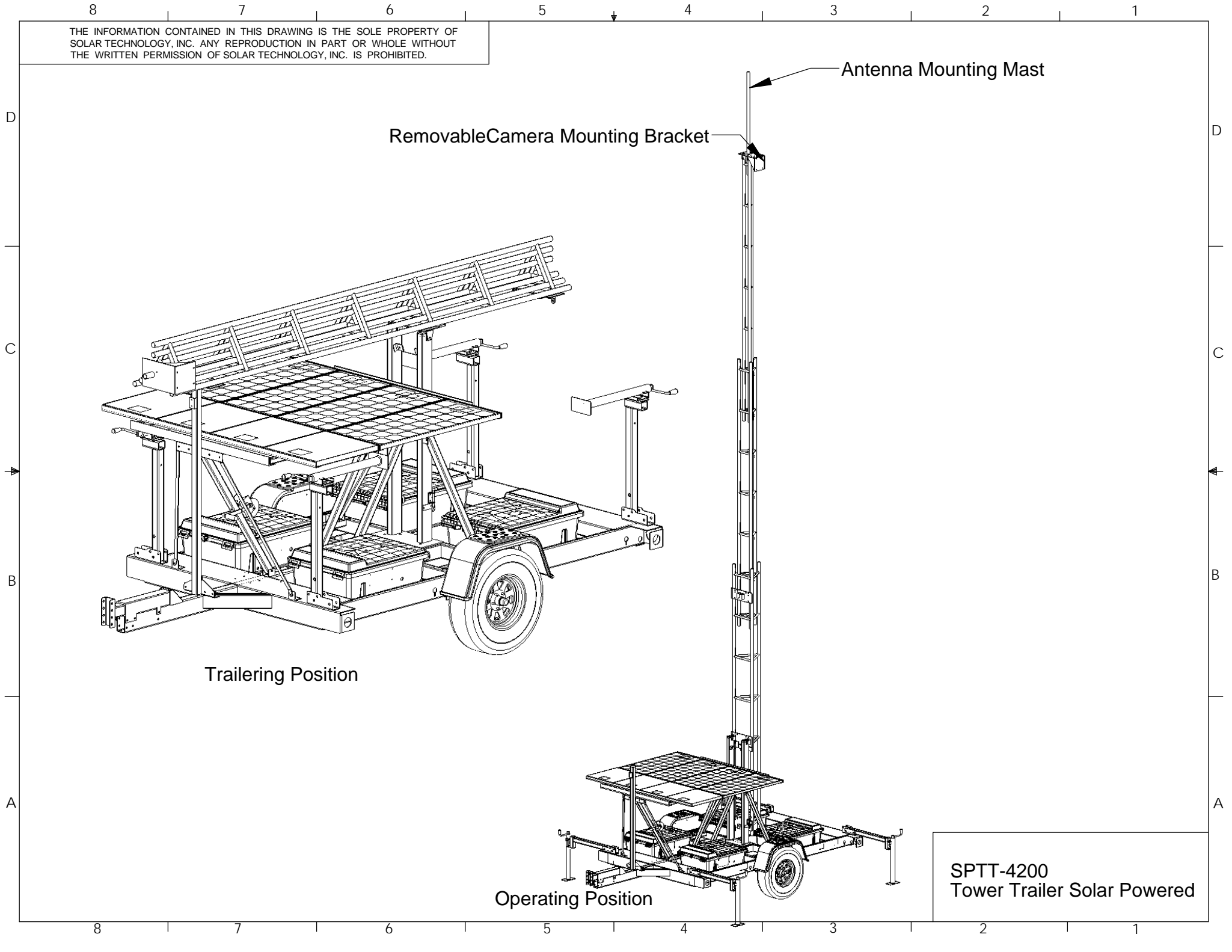


THE INFORMATION CONTAINED IN THIS DRAWING IS THE SOLE PROPERTY OF SOLAR TECHNOLOGY, INC. ANY REPRODUCTION IN PART OR WHOLE WITHOUT THE WRITTEN PERMISSION OF SOLAR TECHNOLOGY, INC. IS PROHIBITED.



Trailing Position

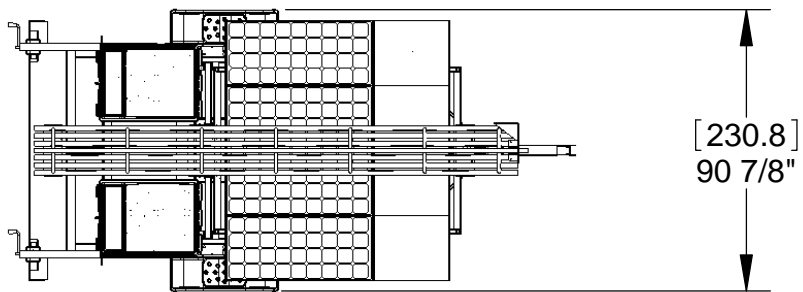
Operating Position

Antenna Mounting Mast

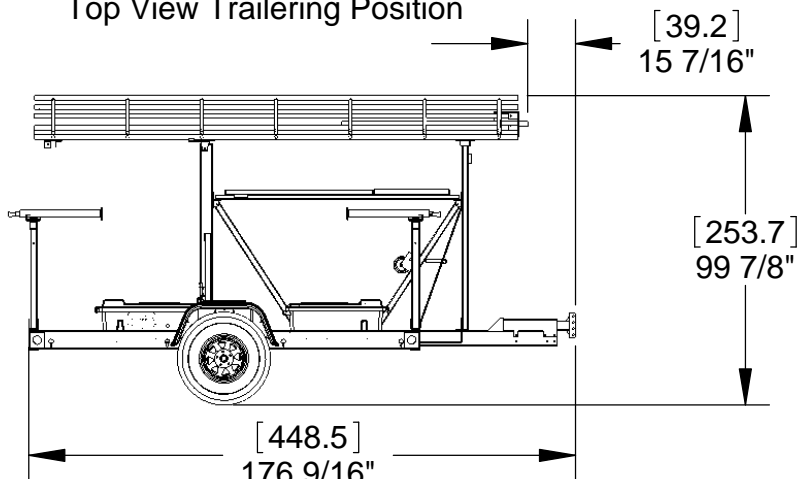
Removable Camera Mounting Bracket

SPTT-4200
Tower Trailer Solar Powered

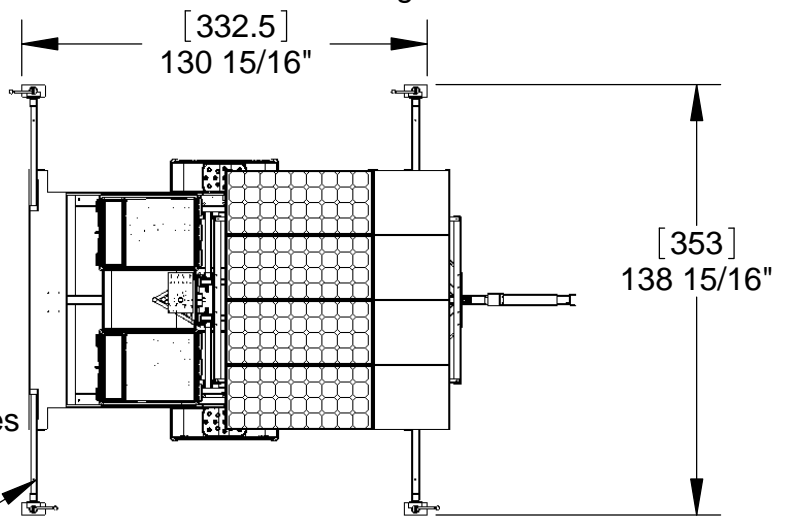
THE INFORMATION CONTAINED IN THIS DRAWING IS THE SOLE PROPERTY OF SOLAR TECHNOLOGY, INC. ANY REPRODUCTION IN PART OR WHOLE WITHOUT THE WRITTEN PERMISSION OF SOLAR TECHNOLOGY, INC. IS PROHIBITED.



Top View Trailing Position



Side View Trailing Position



Top View Operating Position

Not Shown: Guy Wires attach from the tower to the swivel jack extension tubes

[1198.6]
471 7/8"

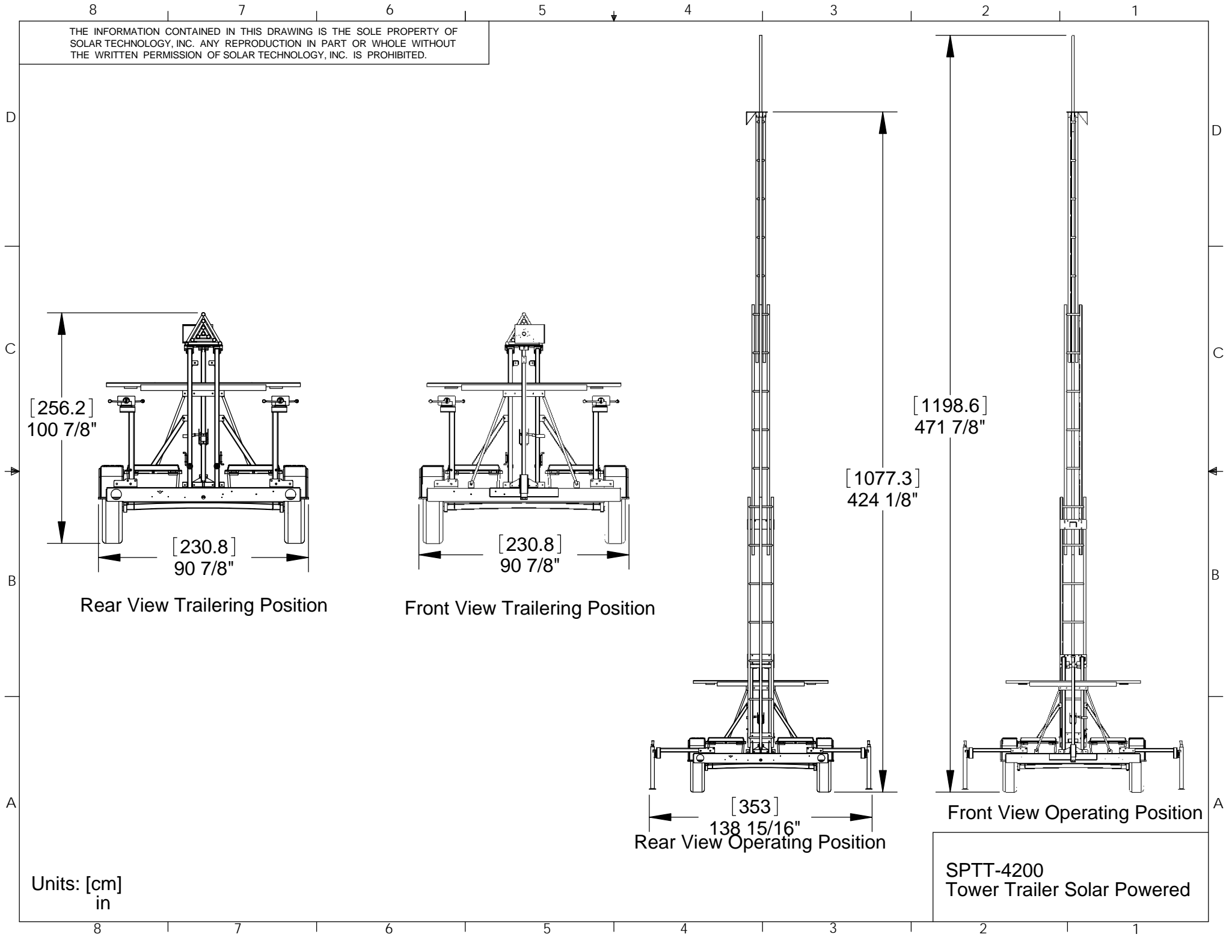
[1077.3]
424 1/8"

Side View Operating Position

Units: [cm]
in

SPTT-4200
Tower Trailer Solar Powered

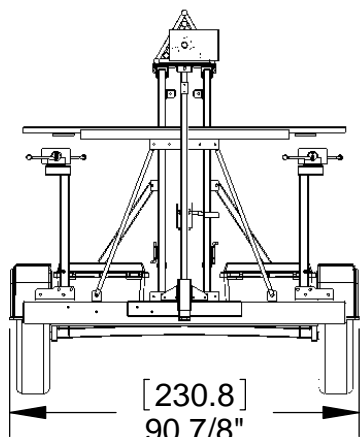
THE INFORMATION CONTAINED IN THIS DRAWING IS THE SOLE PROPERTY OF SOLAR TECHNOLOGY, INC. ANY REPRODUCTION IN PART OR WHOLE WITHOUT THE WRITTEN PERMISSION OF SOLAR TECHNOLOGY, INC. IS PROHIBITED.



[256.2]
100 7/8"

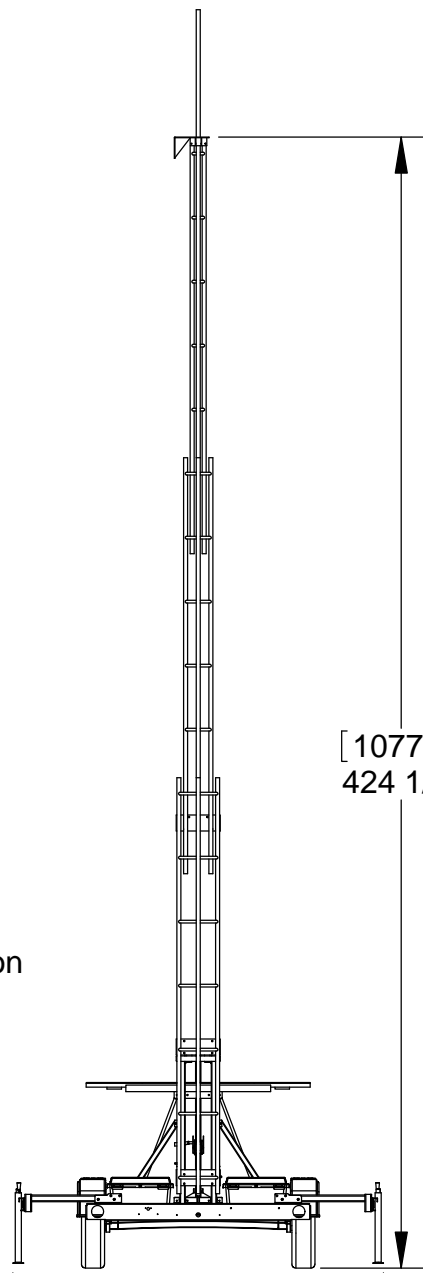
[230.8]
90 7/8"

Rear View Triling Position



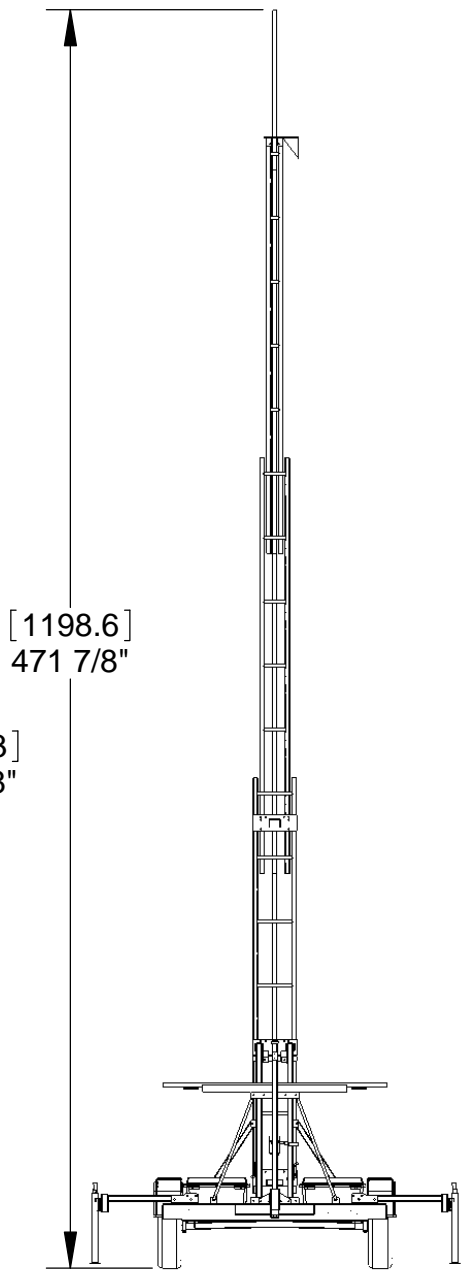
[230.8]
90 7/8"

Front View Triling Position



[1077.3]
424 1/8"

[353]
138 15/16"
Rear View Operating Position



[1198.6]
471 7/8"

Front View Operating Position

Units: [cm]
in

SPTT-4200
Tower Trailer Solar Powered