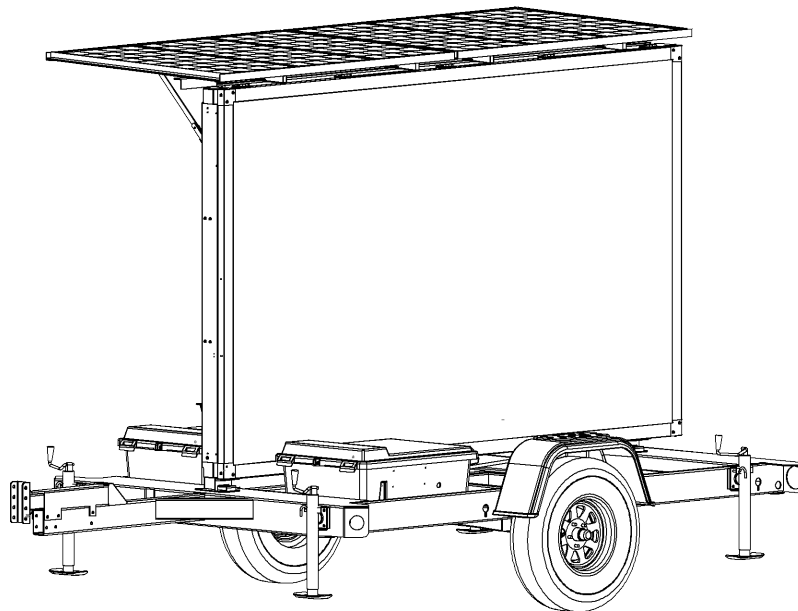


Silent Messenger
Solar Powered Portable Changeable
Message Boards

**Procurement
Specifications**
for MB Full Size Message Boards



As Reliable as the Sun

7620 Cetronia Road, Allentown, PA 18106 ■ Phone 610-391-8600
www.solartechtechnology.com

Copyright © 2003 Solar Technology, Inc. All rights reserved.

SolarTech, SILENT MESSENGER SOL-R-SIGN, MegaTech, Trafix, Mega-Flux, and Comamnd Center are trademarks of Solar Technology, Inc.

Microsoft, Windows 95, Windows 98, Windows NT, Windows 2000, Windows XP, Windows Vista, Windows 7 and other Microsoft products referenced herein are registered trademarks of Microsoft Corporation.

All other brands and product names mentioned herein are used for identification purposes only, and are trademarks or registered trademarks of their respective holders.

This document presents a detailed specification for a full-size solar powered portable dynamic (changeable) message sign. This specification typically requires additions and/or modifications to meet a user's specific requirements.

This specification is subject to periodic revisions as required without notice.

P/N 500-524-180

Revision: 01 August 2017

General email: info@solartechnology.com
Technical Support email: techsupport@solartechnology.com
Web site: www.solartechnology.com

1. General

1.1 Product Description

The **SILENT MESSENGER** is a solar powered portable dynamic message sign. The **SILENT MESSENGER** consists of a sign display panel, a supporting structure for the sign display panel, a photovoltaic array, a battery power supply, an energy management system control unit and an electronic control console, all mounted on a heavy duty trailer frame.

1.2 Design Objectives

1.2.1 Maximize reliability by using generally accepted design techniques for outdoor-use electrical and electronic equipment.

1.2.2 Minimize operating cost by using a renewable energy source, requiring minimal maintenance.

1.2.3 Maximize safety and effectiveness by using a non-glare, high contrast display panel with long-life expectancy, high-reliability display technology.

1.2.4 Meet or exceed the standards for Portable Changeable Message Signs as listed in the U.S. Federal Highway Administration (FHWA) Manual on Uniform Traffic Control Devices (MUTCD).

1.3 Performance Objectives

1.3.1 Visibility up to 1 mile.

1.3.2 Legibility up to 1/2 mile.

1.3.3 Minimal glare from sunlight and headlights.

1.3.4 Continuous, uninterrupted operation on solar power.

1.3.5 One month minimum, three month typical maintenance interval.

1.4 Quality Assurance Objectives

1.4.1 All manufacturing shall be carried out in a facility with a completely implemented and properly maintained ISO 9001:2015 certified quality management system.

1.4.2 All units shall bear the CE Mark indicating acceptable EMC (Electromagnetic Compatibility) to insure that the units are neither susceptible to nor produce any electromagnetic interference.

1.4.3 Manufacturer shall have a factory authorized service center located within 150 miles of point of delivery. Authorized service center shall receive all units from factory in order to inspect for any shipping damage and verify proper operation prior to final delivery. Delivery directly from manufacturer's facility without inspection by an authorized service center shall not be permitted. Additionally, authorized service center shall be capable of performing warranty service and repairs, and shall provide on-site training on the proper use and maintenance of all equipment delivered.

2. Physical

2.1 Dimensions

2.1.1 Length Overall - 180 in. (457 cm)

2.1.2 Width Overall - 92 in. (234 cm)

2.1.3 Height

2.1.3.1 Sign in transport position - 103 in. (262 cm)

2.1.3.2 Sign in operating position - 162 in. (412 cm)

2.1.4 Ground Clearance, minimum - 13 in. (33 cm)

2.1.5 Weight - 2,960 lbs. (1,343 kg) (maximum)

2.2 Environmental

2.2.1 Temperature, operating and storage - -40 to +185 °F (-40 to +85 °C)

2.2.2 Relative Humidity - 20% to 98%, non-condensing

2.2.3 Wind

2.2.3.1 Transport position, maximum trailering speed - 70 MPH (112 KPH)

2.2.3.2 Operating position, max. height, outriggers in place - 80 MPH (128 KPH) sustained

2.2.4 Electrical Interference - Unaffected by RFI (Radio Frequency Interference) and EMI (Electromagnetic Interference).

3. Trailer Chassis and Sign Support

3.1 Trailer Chassis

3.1.1 Frame Construction

3.1.1.1 Trailer frame shall be constructed of welded 7 Gauge (3/16-inch) CNC formed steel plate and structural steel tubing with 3 x 5 x 3/16 inch structural steel tubing extending from the sign mast mounting frame crossmembers (2 x 4 x 11 gauge tubing) forward to the coupler/brake actuator. Tongue shall be braced with diagonal 2 x 4 x 11 gauge tubing extending outward from the forward section of the tongue at 45 degrees, rearward to the front main cross member.

3.1.1.2 Trailer shall be equipped with a 7 Gauge (3/16-inch) CNC formed steel plate rear cross member to provide support for sign panel and protect structure against rear end collisions.

3.1.1.3 Trailer frame shall be equipped with tie down points to facilitate securing unit to utility trailer or truck deck for transport.

3.1.2 Suspension and Brake System (Note: brakes are an optional upgrade)

3.1.2.1 Trailer shall be equipped with an independent suspension, torsion-type #10 axle with either (optional) hydraulic surge or electric brakes. Axle load capacity shall be set to 3,400 pounds (Note: brakes are an optional upgrade).

3.1.2.2 Axle wheel spindles shall be equipped with grease fittings to accommodate wheel bearing lubrication.

3.1.2.3 Trailer shall be equipped with an optional bolt-on 7,500-pound capacity hydraulic surge brake actuator for axles equipped with surge brakes or an optional electric brake controller for axles equipped with electric brakes (Note: hydraulic surge or electric brakes are an optional upgrade).

3.1.2.4 Optional hydraulic surge brake actuator or optional electric brake actuator shall be equipped with an emergency break-away cable to automatically set the trailer brakes in the event of a coupler separation from the tow vehicle (Note: hydraulic surge or electric brakes are an optional upgrade).

3.1.3 Coupler

3.1.3.1 Trailer shall be equipped with an adjustable height coupler mount capable of accepting either a 2-inch ball or a 3-inch pintle ring coupler, both with minimum capacity ratings of 5,000 lbs.

3.1.3.2 Trailer shall be equipped with 36" long 1/4-inch safety chains with snap-type hooks for secure attachment to tow vehicle hitch.

3.1.3.3 All trailer hitch components shall comply with SAE J684 standards for Class II (2) trailers.

3.1.4 Surface Preparation and Finishing

3.1.4.1 Trailer chassis and superstructure shall be completely cleaned and deburred prior to finishing. All metal surfaces shall be prepared for finishing using an iron phosphate wash-down process.

3.1.4.2 A polyamide epoxy primer shall be applied to a dry film thickness of 1.5 mils.

3.1.4.3 A high gloss federal safety orange aliphatic acrylic urethane finish shall be applied to a dry film thickness of 1.25 mils.

3.1.5 Lighting

3.1.5.1 Trailer shall be equipped with sealed flush-mounted combination stop, tail and turn lights.

3.1.5.2 Trailer shall be equipped with flush-mounted front and rear side marker lights.

3.1.5.3 Trailer shall be equipped with a rear center identification light bar.

3.1.5.4 Trailer shall be equipped with a lighted license plate holder.

3.1.5.5 Trailer wiring harness shall be completely sealed and water resistant.

3.1.6 Fenders

3.1.6.1 Trailer shall be equipped with unbreakable, molded, solid color, UV-stabilized HDPE (High Density Polyethylene) fenders, completely closed on the inner side to protect trailer frame.

3.1.6.2 Fenders shall be secured to trailer frame with zinc-plated steel thread forming screws and fender washers so as to facilitate easy repair or replacement.

3.1.7 Leveling Jacks

3.1.7.1 Trailer shall be equipped with four swivel type screw jacks, minimum capacity rating of 2,000 pounds, mounted at each corner of the trailer frame.

3.1.7.2 The outrigger jacks shall be capable of lifting the trailer frame so trailer wheels and tires can be removed for additional security.

3.1.7.3 Trailer shall be constructed such that the outrigger jacks are protected by 7 Gauge (3/16-inch) CNC formed steel plate guards when the jacks are in the travel position to prevent damage to jacks during transport.

3.1.8 Tires and Wheels

3.1.8.1 Tires shall be ST225/75R15 Load Range C.

3.1.8.2 Wheels shall be 15-inch x 6-inch, 5-lug pattern (4 1/2-inch bolt circle), white spoke dress wheel.

3.1.8.3 Wheels and tires shall be sized in accordance with load requirements of trailer and axle.

3.2 Sign Support

3.2.1 Sign panel shall be attached to a telescoping mast assembly to facilitate raising and rotating the display panel from the transport position to the operating position safely and quickly by an unassisted operator.

3.2.2 The mast shall consist of a lower assembly and an upper assembly with a hydraulic cylinder mounted inside to provide for raising and lowering the message display panel.

3.2.3 A hydraulic power unit, mounted inside a lockable, weather-resistant, molded HDPE (High Density Polyethylene) enclosure, shall provide sufficient flow to raise the sign panel to the full operating

position in less than twenty (20) seconds. The hydraulic power unit shall be equipped with a manual bypass dump valve to permit lowering of the mast in the event of a hydraulic control valve failure or total loss of electrical power.

3.2.4 The lower mast shall be fabricated from 6 x 6 x 3/16-inch structural steel tubing inserted through a 5/16-inch steel plate secured to the trailer frame with eight 5/8-inch diameter steel bolts. The lower mast assembly shall be reinforced with 5/16-inch steel gusset plates located below the trailer deck.

3.2.6 The upper mast shall be fabricated from 8-inch structural steel round tubing.

3.2.7 The mast assembly shall be equipped with a dual cam locking mechanism located at the bottom of the upper mast. The dual cam locking mechanism shall secure the message display panel in the appropriate viewing position. The locking cam mechanism shall automatically tighten to resist turning in windy conditions. Friction type (disc or band brake) locking mechanisms are not acceptable as slippage can occur in high wind conditions.

3.2.8 The message display panel support mechanism shall be capable of being rotated through 360° and locked into position, at any angle.

3.2.9 The message display panel rotation locking mechanism shall permit the operator to lock the message display into position, safely, at ground level, prior to elevation to full operating height.

3.2.10 The message display panel shall be equipped with a sighting device to facilitate proper alignment during setup.

3.2.11 The upper and lower mast assemblies shall be equipped with nylatron wear pads to provide for smooth easy movement and to avoid metal to metal contact. The message display support mast shall be capable of extended operation without lubrication. Nylatron wear pads shall be adjustable to compensate for normal wear.

3.2.12 Message display panel support structure shall be of non-welded, modular construction to facilitate quick easy repair in the event of accidental damage.

3.2.13 Message display panel shall be secured to a steel superstructure with stainless steel hardware and nylon spacers to minimize the effects of corrosion.

3.2.14 All mounting hardware shall be locking-type.

3.2.15 Heavy gauge steel cradles equipped with rubber bumpers and HDPE wear pads shall securely support sign panel against vertical and lateral movement during transport. No locking pins or latches will be permitted. Sign panel shall automatically lock into the transport position, without operator intervention, when the sign panel upper mast is fully retracted.

4. Message Display Panel

4.1 Dimensions

4.1.1 Width Overall - 126 in. (320 cm)

4.1.2 Height Overall - 76 in. (193 cm)

4.1.3 Depth Overall - 6 in. (15 cm)

4.2 Construction

4.2.1 Message Display Panel Case

4.2.1.1 The message display panel case shall be constructed of heavy duty aluminum extrusion secured at each corner by a molded, fiberglass-reinforced plastic corner and black powered coated stainless steel torx head screws and nylon insert locknuts.

4.2.1.2 The back of the message display panel case shall be constructed of aluminum sheet bonded and riveted to the case frame.

4.2.1.3 Interior of message display panel case shall be equipped with fabricated extruded aluminum channels to reinforce the display case and to support internal wiring and cables.

4.2.1.4 The display panel case shall be equipped with eight breather filter vents, designed to allow the flow of vapor but not fluid, located at the top and bottom of the case to provide adequate ventilation to minimize condensation and fogging of the display panel door.

4.2.2 Message Display Panel Door

4.2.2.1 The display panel door shall be constructed of heavy duty extruded aluminum secured at the corners with glass fiber reinforced molded plastic inserts and black powered coated stainless steel torx head screws and nuts.

4.2.2.2 The door shall fit within a flange around the perimeter of the message display panel case frame to provide for a secure weatherproof enclosure.

4.2.2.3 A rubber seal shall be located inside of the flange on the case frame to provide a water tight, dust tight closure.

4.2.2.4 The message display panel shall be enclosed over the display area by a 3/16-inch thick clear UV resistant, scratch resistant, acrylic coated polycarbonate material with a non-glare outer surface to reduce reflection of ambient light and oncoming vehicle head lamps.

4.2.2.5 The polycarbonate material shall be secured in the door frame with an extruded rubber u-channel to provide a cushioned, weatherproof seal.

4.2.2.6 The message display panel door shall be secured in the open position for servicing by a pair of zinc-plated steel telescoping lid supports equipped with automatic latches. The door supports shall be located completely inside of the display panel housing, protected from weather.

4.2.2.7 The display panel door shall be secured in the closed position with adjustable, positive locking, stainless steel draw latches.

4.2.2.8 The message display panel door and case shall be equipped with stainless steel locking hasps capable of accepting standard padlocks to secure the door in the closed position.

4.2.3 Surface Preparation and Finishing

4.2.3.1 Message display panel case and door shall be completely cleaned and deburred prior to finishing. All metal surfaces shall be prepared for finishing using an iron phosphate wash-down process.

4.2.3.2 A wash primer shall be applied to all prepared metal surfaces prior to applying final finish.

4.2.3.3 A matte black acrylic urethane finish shall be applied to a dry film thickness of 2.5 mils.

4.3 Display Characteristics

4.3.1 The message display area shall be approximately 120 inches in width by 70 inches in height.

4.3.2 The display area shall consist of a continuous (full) matrix of 48 pixels or dots in width by 27 pixels in height (models MB-1548, MB-2248, MB-3048, MB-3748 and MB-4048), or 56 pixels in width by 30 pixels in height when equipped with the optional high definition display (models MB-1556, MB-2256, MB-3056, MB-3756 and MB-4056).

4.3.3 The pixels or dots shall consist of three (3) LEDs (Light Emitting Diodes) arranged in a triangular pattern so as to produce the appearance of a round image or dot at normal viewing distances.

4.3.4 The display color shall be amber (592 nanometer wavelength).

4.3.5 The display shall produce a brightness greater than 10,000 candela per square meter at maximum intensity.

4.3.6 The display shall produce a minimum viewing angle of 24 degrees standard (60 degrees when equipped with optional MegaFlux LED display), with consistent intensity and color across the entire display panel.

4.3.7 The message display shall be capable of displaying one, two, three or four lines of alphanumeric characters or text with a nominal character height ranging from a minimum of 13 inches (33 cm) to a maximum of 52 inches (132 cm).

4.3.8 The message display panel shall be capable of displaying three lines of text with a minimum of three pixels (7.5 inches / 19 cm) between lines.

4.3.9 The message display shall also be capable of displaying graphic images and symbols using the full 48 pixel width and 27 pixel height (56 pixel width by 30 pixel height when equipped with the optional high definition display).

4.4 Display Modules

4.4.1 Display modules shall be mounted in the sign panel using captive 1/4-turn wing-head fasteners to permit quick, easy module replacement without the need for any tools.

4.4.2 Display modules shall be mounted on rubber cushions to provide shock absorption during transport and to accommodate thermally-induced expansion and contraction of message display panel during operation.

4.4.3 Display module control circuitry shall include a fail-safe device, also known as a watchdog timer, to automatically monitor the performance of the display module and provide a reset / restart command to the on-board microcontroller in the event of any disruption of normal operation.

4.4.4 Display module control circuitry shall be designed to accommodate "hot swapping" - exchange of display modules while sign is operating.

4.4.5 The message display shall consist of an array of identical display modules capable of functioning in any position without the need for switch or jumper setup or special programming.

4.4.6 Display modules and message display panel shall accommodate complete service and exchange of display modules without the need for any tools.

4.4.7 Display modules shall be equipped with locking-type electrical / electronic connectors to provide secure, reliable operation while permitting quick, easy service and repair of message display.

4.5 Cables and Wiring

4.5.1 All message display panel wiring and cables shall be equipped with modular power and signal connectors to permit repairs without the need for any tools.

4.5.2 All power circuit connectors shall use tin or silver plated contacts.

4.5.3 All signal circuit connectors shall use gold plated or gold flashed contacts.

4.5.4 All system wiring, power and signal, shall consist of marine grade wire and cable, with multi-strand, tin-plated conductors.

4.5.5 All power and sign panel signal wiring and cables shall be installed in nonmetallic, flexible, liquid-tight conduits. All conduit fittings shall be installed with rubber sealing rings to maintain liquid-tight characteristics.

5. Main Control Console

5.1 Physical

5.1.1 Control console shall be enclosed in a weather resistant, lockable, molded HDPE (High Density Polyethylene) enclosure secured to the trailer chassis.

5.1.2 Control console shall be completely sealed to accommodate operation in all types of weather.

5.1.3 Control console shall be mounted on heavy duty slides which allow the control console to slide up and pivot into a position enabling the operator to program the unit while facing traffic from a comfortable standing position. A controller location which requires the operator to stoop, bend or kneel for operation such that the operator cannot see approaching traffic shall not be permitted. Slide mechanism shall permit quick, easy removal of control console without the need for any tools.

5.1.4 Control console power and control cables shall include sealed, locking-type connectors to permit quick, easy removal of control console without the need for any tools.

5.1.5 Control console front panel shall consist of a backlit full color LCD (liquid Crystal Display) with integrated industrial grade touch-screen, sealed and waterproof, to provide a reliable and user-friendly interface for the operator under any weather condition.

5.2 General Operation

5.2.1 Control console shall provide for full local and remote (via integrated cellular transceiver and antenna) control of the dynamic message sign including dynamic message sign geographic location monitoring (via integrated GPS module and antenna), radar speed monitoring and statistical data collection (when equipped with optional radar speed monitor) and sign panel orientation monitoring (when equipped with optional digital flux-gate compass), without the need for additional hardware, software, external computers or hand-held control devices.

5.2.2 Control console shall include all necessary hardware and software to operate the dynamic message sign locally (via integrated full color LCD display and touch-screen) and remotely (via integrated cellular transceiver and antenna), including geographic location monitoring (via integrated GPS module and antenna), radar speed monitoring and statistical data collection (when equipped with optional radar speed monitor), and sign panel orientation monitoring (when equipped with optional digital flux-gate compass). Full remote control (including GPS mapping) via internet accessible server based remote control software shall be included free of charge from date of purchase (i.e. cellular service shall be included free from date of original purchase for life of the unit).

5.2.3 Control console, in conjunction with the message display panel, shall have the capability of monitoring and detecting sign panel communication loop failures. In the event of a sign panel communication loop failure, the control console, in the case of soft errors (temporary disruption of message display), shall have the ability to correct the failure immediately and in the case of hard errors (hardware failure), shall have the ability to completely blank the sign panel so as to prevent the display of incorrect and/or potentially misleading messages. Additionally, control console, in conjunction with the message display panel, shall have the capability of continuously and dynamically (as well as on command) testing and reporting the operational status of each and every individual pixel in the sign panel. Non-operational pixels shall be indicated as such on both local and remote user interfaces. Control console shall have the capability of reporting complete sign panel operational status remotely (including web-access, NTCIP, and UTMCI). Additionally, control console shall have multiple diagnostic modes (manual & automatic with both local and remote controls) for troubleshooting sign panel (including a graphical representation of all modules with non-operational pixels) to enable an operator to quickly track down and replace faulty display modules in the sign panel.

5.2.4 Control console embedded CPU shall incorporate an ARM based microprocessor design to insure future hardware and software compatibility through upgrades provided by manufacturer free for life of the machine. Operating system shall be Linux based and include multiple watchdog timers to ensure automatic system restarts in the event that any critical function stops working properly or communication with remote control servers is interrupted.

5.2.5 Control console shall be capable of connection to any standard IBM or compatible desktop or portable (lap-top) computer via a standard serial interface (COM) or Ethernet port to facilitate routine service or repair, extensive diagnostics, and the analysis of user files or operating programs.

5.2.6 Control console shall be equipped with at least one USB port, one Ethernet port, two (2) serial ports (DB-9 connector), two (2) digital outputs, six (6) digital inputs, and two (2) analog inputs.

5.2.7 Control console shall be capable of simultaneously driving more than one sign panel for dual sign panel installations.

5.2.8 Control console operating processor, firmware and software shall be field (locally) upgradeable with a standard USB flash-drive (memory key) or remotely upgradeable over an IP addressable network connection - wire-line or wireless via IP addressable modem. Additionally, upgrades shall be provided by manufacturer free of charge for life of machine and automatically applied via integrated cellular transceiver and included remote control service from date of original purchase.

5.2.9 Full color LCD display shall be equipped with an automatic backlight with automatic dimming capability to accommodate both direct sunlight daytime and low ambient light level night time operation. Backlighting shall automatically activate upon any touch-screen activity and remain on for five minutes following the last touch-screen activity. Additionally, an automatic log-out feature shall be incorporated to insure security of the unit when left unattended. Automatic log-out feature shall be capable of being disabled by the operator as desired (i.e. for vehicle mounted applications).

5.2.10 Main power to the sign panel and the control console shall be controlled by a combination switch and circuit breaker in order to provide electrical protection without the need for fuses. All connections to controller and Energy Management System shall be made with locking type quick disconnect connectors. The use of fuses and/or terminal strips for connections shall be strictly forbidden.

5.3 Programming

5.3.1 Control console shall provide an intuitive icon-driven graphical user interface (GUI) along with step by step instructions to the operator, via the LCD display, as the various programming functions are performed, for simple easy programming and operation. On-screen help files shall be included in all languages. Control console shall support a minimum of six (6) standard operating languages (English, Spanish, French, Dutch, German and Portuguese) and four (4) standard keyboards (English, French, Portuguese/Spanish, and Arabic) along with associated font sets. Controller shall be capable of being setup for either a Standard US DOT, Power-Miser US DOT, Standard US 3-Line DOT, French Canadian, Ontario MTO-2, Quebec Road Safety, MTQ, or an International font set by an operator with Administrator access to prevent unauthorized use of inappropriate fonts by operators with User access.

5.3.2 Control console shall be capable of storing all messages in alphabetical order by the first letter of the first word of the name assigned to the message to permit quick recall of messages without the need for maintaining a numeric listing of pages and/or messages. Messages shall be automatically named and sorted any time messages are added to or deleted from the library. Because of difficulty in locating and retrieving stored pages and/or messages via numerical codes, number coded storage of pages and/or messages requiring any form of a lookup table/directory shall be strictly forbidden.

5.3.3 Control console shall accommodate a minimum of fifty (50) full alphanumeric passwords each providing one of four levels of access to various control console functions. Each password shall allow access to only the functions required by that particular dynamic message sign operator. The four levels of access are as follows:

| | |
|--------------------|--|
| Quick-Picks | Select from up to six (6) pre-programmed messages with no programming required. Simply touch a message for display. No access to any permanent data files. |
| User Menu | Create, Edit, Delete, Save, Display, and Schedule messages. Create, Assign and Edit Quick-Picks. Check System Status and perform basic diagnostics. |
| Supervisor Menu | All User Menu Functions. Create and delete Quick-Picks and User passwords. Set system operating parameters. |
| Administrator Menu | All Supervisor Functions. Create and delete Administrator and Supervisor passwords. Set controller operating parameters. |

5.3.4 Control console shall be capable of displaying a message on the message sign display panel during such time as the operator may be adding, editing or deleting messages from the control console user files. Blanking of the message sign display panel during normal operator activity is considered unsafe and shall be strictly forbidden.

5.3.5 Control console shall be capable of monitoring ambient light conditions and making appropriate adjustments to the intensity of the sign panel to maintain an acceptable display contrast during all ambient lighting conditions. The control console shall provide a minimum of sixteen (16) intensity levels between minimum and maximum display brightness. An operator with Supervisor access shall be capable of adjusting the upper and lower photocell set-points as to adjust the overall range for the automatic brightness control to accommodate any local variations in ambient lighting. Manual control of sign panel intensity shall be provided as well enabling an operator with Supervisor access to override automatic sign panel intensity control and set sign panel intensity manually from 1% to 100% in 1% increments.

5.3.6 Control console shall be equipped with a Scheduler that utilizes a real time clock and calendar feature to accommodate automatic, unattended changing of messages at predetermined dates and times. Scheduler shall support unique, single event schedules along with recurrent schedules such that messages may be easily scheduled for daily, weekly or monthly repetition. Recurrent schedules shall be capable of incorporating a start and stop date as desired. Scheduler shall also be capable of displaying messages based upon data driven events such as input from a radar gun, photocell, battery voltage, temperature and/or switch closures (up to six). Data driven events shall also be capable of being restricted to specific dates and times. Scheduler shall incorporate a priority system for resolution of conflicting schedules and/or events to permit one schedule/event to override another based upon level of importance (i.e. priority). Additionally, the control console shall have the capability to create and display on the sign panel an Override Message that takes priority and overrides all programmed Schedules and Events until cleared to enable an operator to display a message continuously on the sign panel regardless of programmed schedules and/or events.

5.3.7 Control console shall provide special function buttons to provide access to common user functions in a single step including (from the main log-on screen) Managing Messages, Scheduling Messages, Blanking the Sign Panel, creating an Instant Message, and selecting from Quick Picks.

5.3.8 Control console shall provide a system status page that enables an operator to quickly and easily determine the unit's current time, date, photocell reading, photocell set-points, battery bank voltage, battery bank current, solar array voltage, solar array current, temperature, MAC address, IP address, run-time since last re-boot, current run-time (resettable timer), lifetime run-time, and serial modem type along with modem signal strength and quality, latitude & longitude and sign panel heading.

5.3.9 Control console shall be capable of storing a minimum of 5,000 messages, each message capable of accommodating a minimum of 500 pages (text or graphic images).

5.3.10 Control console shall provide a minimum of twelve (12) font sizes (with full uni-code support for each font) including an adaptive font that automatically and dynamically sizes text to fit on a page as it is typed such that the largest font is always used for a given amount of text on a page to ensure maximum visibility and legibility. One of the included font sizes shall be a standard 5x7 DOT pixel font.

5.3.11 Control console shall support the incorporation of multiple dynamic data sources per page during message creation such that multiple pages within a message can include output from multiple dynamic data sources. Pages containing dynamic data sources shall be automatically refreshed and updated prior to each display such that the most recent data is always displayed on the sign panel. System shall include, as a minimum, the following data sources: radar gun (if equipped), real-time clock (time and date - day, month, year and time in various formats), photocell (ambient light level),

battery voltage, and countdown & count-up features from a specified date and/or time. System shall also provide operator with the ability to create and incorporate additional dynamic data sources for display and scheduler control for maximum flexibility during system integration.

5.3.12 Control console shall be capable of page display times from 0.1 seconds to a minimum of 99 seconds in 0.1 second increments.

5.3.13 Control console shall be capable of displaying messages in a preview screen, during message creation, editing or selection, exactly as they will appear on the message display panel including an exact graphical representation of all non-operational/failed pixels on sign panel.

5.3.14 Control console shall permit the editing of messages that are currently being displayed, showing the revised message as soon as message editing has been completed.

5.3.15 Control console shall enable an operator to create, copy, add/insert, move about, edit and delete/remove pages to/from a message dynamically during message creation and/or editing. It shall not be necessary to create pages first and then assemble the pages into a message. Control console shall have the ability to insert pages and/or messages from a master library into a new message and move them about within the message. Control console shall also accommodate the creation and editing of graphic images directly from the GUI during message creation. Additionally, control console shall provide the operator with the ability to easily flash a page within a message, flash a line(s) within a page and/or add static or dynamic arrows/chevrons to a page within a message through the use of page annotations. Control console shall have the capability (if enabled by an operator with Supervisory access) to create pages with scrolling text.

5.3.16 Control console shall provide a selection of standard highway work zone sign graphic images, including but not limited to: flagman, fixed left and right arrow images, moving or sequential left and right arrow images, and moving or sequential left and right chevrons, etc.

5.3.17 Control console shall provide the capability to display Battery Bank Voltage to 0.1 Volt accuracy, Battery Bank Current to 0.1 Amp accuracy, Solar Array Voltage to 0.1 Volt accuracy and Solar Array Current to 0.1 Amp accuracy directly on the control console display. Additionally, control console shall have the capability to calculate and display an estimated run-time (autonomy) based on current battery bank status and historical system energy (generation vs. consumption) trends to provide the operator with an estimated number of days system is capable of operating prior to shutting down on a low-battery condition.

5.3.18 Control console shall provide for a user selectable low-battery-voltage caution message when the battery voltage drops to a user specified level (above the low-battery automatic shut down voltage). The low-battery-voltage caution message shall be user programmable by an operator with Supervisor access. Additionally, control console shall incorporate a feature know as Adaptive Blanking that will as necessary, based upon current battery bank voltage and/or recorded battery bank voltage trends, automatically insert variable length blanks between pages (0.25s to 0.50s) of messages to reduce overall power consumption and extend run-time. An operator with Supervisory access shall be capable of either enabling or disabling the Adaptive Blanking feature.

5.3.19 Control console shall be equipped with three (3) Run-Time counters: an Up-Time counter that indicates total number of days, hours and minutes since last re-boot, a Current Run-Time counter that indicates total hours of operation since last reset of the counter (resettable run-time counter), and a Lifetime Run-Time counter that indicates total hours of control console operation (non-resettable).

5.3.20 Control console shall include the ability to reset the Current Run-Time counter, Message Library, Scheduler, and all Factory Settings automatically, individually or all at once through performing

a variety of Master Resets which will clear all memory and reset all settings to original factory set-points to various levels.

5.3.21 Control console, in addition to an integrated GSM transceiver, shall support both dynamic and static IP address network connections along with direct serial communications to support legacy NTCIP installations.

5.3.22 Control console shall provide a method for setting a battery offset and temperature offset to calibrate battery voltage and temperature readings.

5.3.23 Control console shall provide a method for switching radar gun output from MPH to KPH directly from control console GUI or remotely via remote control software.

5.3.24 Control console shall be NTCIP compatible. The following NTCIP standards must be supported:

- NTCIP 1201 (v3.15r) - Global Object Definitions
- NTCIP 1203 (v2.39b) - Object Definitions for Dynamic Message Signs
- NTCIP 2101 (v1.19) - Subnetwork Profile: PMPP over RS232
- NTCIP 2104 (v1.11) - Subnetwork Profile: Internet
- NTCIP 2201 (v1.15) - Transport Profile: Transportation
- NTCIP 2202 (v1.05) - Transport Profile: Internet

Unit shall support an administrator community string along with 255 other communities. Each community shall be capable of being assigned read-only or read-write access.

Unit shall support up to 65,535 user-defined permanent messages.

Unit shall support a configurable number of changeable (persistent) messages. This number shall be configurable between 1 and 65,535, and shall default to 32.

Unit shall support a configurable number of volatile (nonpersistent) messages. This number shall be configurable between 1 and 65,535, and shall default to 32.

Each message shall support at least 16 pages.

Unit shall support a scheduler with support for up to 16 schedule, 16 day plans, and 96 day plan events.

Unit shall support at least 255 graphics via the monochrome 1 bit color scheme.

Unit shall support a configurable number of user-definable fonts. This number shall be configurable between 1 and 127, and shall default to 32.

5.3.19 Web-Interface (Smart-Phone Control): Control console shall function as a Web-Server which enables an operator (via user name and password access) through any standard Web-Browser to:

- Create a unique Web-Name for the unit for browser ID
- View the current status of the unit to include current message displayed on sign panel, battery voltage, photocell reading, date & time, and NTCIP control status
- Blank the unit's sign panel
- Select, preview, edit and activate any message from the unit's message library
- Create, edit, preview and activate a new multi-page text message (up to 6 pages)
- Turn NTCIP control on/off if NTCIP control is enabled on control console

Access to the Web-Server shall be through any standard web browser over a standard network connection and/or public IP address (i.e. IP addressable modem). Access shall be protected by a user name and password created by the operator through the manufacturer's proprietary remote control software to ensure security is maintained at all times. The Web-Server shall be capable of being controlled (i.e. turned on and off) via manufacturer's proprietary remote control software. Web-Access to the control console shall not require access to a central server. All access to the Web-Server shall be logged and recorded.

6. Power System

6.1 General

6.1.1 Operating Voltage - 12 Volts DC nominal

6.1.2 Operating Energy Requirement - approx. 30 Amp Hours per day nominal at Spring or Fall Equinox
(i.e. 12 hours of daylight, 12 hours of darkness)

6.1.3 Main Power Switch - Main power switch shall be a combination switch and electromagnetic, thermal circuit breaker to provide complete electrical system protection without the inconvenience of conventional fuses. Main power switch shall be splash proof and weather resistant.

6.2 Battery Bank

6.2.1 Number of batteries: Specify four (4), six (6), eight (8), ten (10) or twelve (12)

6.2.2 Battery type: 6-Volt, heavy duty, deep cycle - Specify Flooded Lead-Acid, Gel-Cell or AGM.

6.2.3 Energy capacity - 1,560 Amp Hours nominal (12 batteries). Sufficient energy capacity to operate the message sign, displaying typical three-line normal size character messages for greater than 30 days, without any energy input from the solar array.

6.2.4 Battery / Equipment Compartments

6.2.4.1 Battery / Equipment Compartments shall be constructed of molded HMWPE (High Molecular Weight Polyethylene), color impregnated with Federal Safety Orange with 0.5% UV stabilizer added to prevent fading.

6.2.4.2 Compartments shall be designed to completely contain spills from a failed or damaged battery case.

6.2.4.3 Compartments shall be capable of supporting an operator standing on top of the battery / equipment compartment to service unit.

6.2.4.4 Compartments shall be designed such that the lid automatically latches in the closed position and holds the batteries in place. Lid shall be capable of being locked in the closed position with a standard padlock.

6.2.4.5 Lid shall be secured to compartment by an integral plastic hinge that permits the lid to be completely removed from the compartment for service. Lid on the compartment containing the control console shall be automatically supported in the open position by a telescoping lid support.

6.2.4.6 Compartments shall be designed to provide adequate ventilation for the batteries during charging yet prevent the ingress of water during use or transport.

6.2.4.7 Each compartments shall be capable of housing four (4) BCI Group GC-2 batteries.

6.3 Solar Array

6.3.1 Photovoltaic module type - Single crystal (monocrystalline) silicon

6.3.2 Number of solar cells per module - 36

6.3.3 Solar array power output: Specify 160, 240, 320, 400 or 480 Watts peak (min.)

NOTE: Solar energy system performance charts are available to assist in selection of appropriate solar array power output requirements.

6.3.4 Solar array shall tilt down for fast, easy cleaning and maintenance.

6.3.5 Solar array energy output shall be sufficient to operate the changeable message sign, under normal operating conditions, with the solar array in a flat, horizontal position. It shall not be necessary to tilt or rotate the solar array to provide sufficient energy output from the solar array to operate the message sign continuously. (Note: An optional tilt and rotate system or an automatically operated linear actuator may be provided to provide for automatic removal of snow and/or ice from solar array for units specified for extreme climates and/or extreme latitudes.)

6.3.6 Photovoltaic module junction boxes shall be equipped with watertight strain reliefs at all cable entry points.

6.4 Wiring and Cabling

6.4.1 All power and control wiring and cables shall be in nonmetallic, flexible, liquid tight conduits.

6.4.2 All conduit fittings shall be sealed at bulkheads or enclosure entry points.

6.4.3 All wiring shall be marine grade, multi-strand, tin-plated copper with PVC insulation rated for outdoor use.

6.4.4 All power system wire terminals shall be tin-plated copper to minimize the effects of galvanic corrosion.

6.4.5 Main power wiring shall be 8 AWG minimum.

6.4.6 Battery terminations shall consist of 5/16-18 UNC marine stud with stainless steel split lock washer and hex nut with 5/16 tin-plated copper ring terminal.

6.4.7 Solar panel terminations shall consist of stainless steel screws with #8 tin-plated copper snap spade terminal.

6.4.8 All other terminations shall consist of locking-type quick-disconnect connectors with tin-plated terminals for power connections and gold-plated terminals for signal connections. Terminal strips, screw or compression type, shall not be permitted

6.5 Energy Management System

6.5.1 Solar energy management system control unit shall include a completely solid state charge controller capable of operating in an outdoor environment. No mechanical or electromechanical switching to control charging current is permitted.

6.5.2 All wiring connections to the energy management system control unit shall be made with locking-type multi-pin connectors to facilitate quick, easy servicing of the control unit without the need of any tools. Electrical connections shall include an auxiliary 12-Volt power connection to provide power for accessory devices.

6.5.3 Energy management system control unit shall monitor solar array voltage, solar array current, battery voltage, battery current and ambient temperature.

6.5.4 Energy management system control unit shall regulate energy flow from the solar array into the battery bank based on ambient temperature so as to avoid over charging of the batteries and minimize the consumption of electrolyte.

6.5.5 Energy management system control unit shall provide for the controlled periodic pulsing of the solar array current to assist in minimizing sulfate deposit buildup on the battery plates.

6.5.6 Energy management system control unit shall provide for remote monitoring of the battery bank voltage, at the terminals of one of the batteries, to assist in optimizing the transfer of power into the battery bank.

6.5.7 Energy management system control unit shall be equipped with a 2-line by 16-character LCD (Liquid Crystal Display) displaying sequentially, solar array voltage, solar array current, battery voltage, and battery current. In addition, the energy management system control unit shall display a low battery voltage warning message whenever the battery bank voltage drops below 10.9 Volts.

6.5.8 Energy management system control unit shall automatically switch current to the message sign off whenever the battery bank voltage drops below 10.7 Volts to prevent damage to the battery bank due to over-discharging the batteries.

6.5.9 Energy management system control unit shall provide for automatic reverse polarity protection, including reverse polarity indicator lamps, for the solar array and the battery bank.

6.5.10 Energy management system control unit shall provide for automatic fault protection without the need for fuses. The use of fuses for fault protection shall not be permitted.

6.5.11 Energy management system shall monitor and report to control console battery bank voltage, battery bank load current, solar array voltage and solar array charge current once every 15 seconds.

6.5.12 Energy management system shall have an integrated watchdog timer that is continuously reset by the control console during normal operations such that if the control console were to become unresponsive due to a software failure/lockup, upon expiration of the timer the energy management system will completely power down and re-start the entire system (including control console and all accessories such as modem, sign panel compass, etc.) in an attempt to recover the system from a temporary software failure/lockup.

7. Documentation

7.1 Operation and Maintenance Manual - available on-line at www.solartechtechnology.com

7.1.1 Setup and Operation

7.1.2 Programming

7.1.3 Maintenance

7.1.4 Troubleshooting and Repair

7.1.5 Assembly Diagrams and Parts Lists

7.1.6 Specifications

7.1.7 Appendix

7.2 Command Center - Users Manual - available on-line at www.solartechtechnology.com

7.2.1 Installation and Setup

7.2.2 Command Center Operation

7.2.3 Appendix

7.3 User Guide - Hard Copy - attached to unit with PVC coated stainless steel lanyard

7.3.1 Pre-transport checklist.

7.3.2 Job site setup checklist.

7.3.3 Basic programming instructions.

7.3.4 Basic system status evaluation.

7.3.5 Weatherproof card attached to unit with nylon-coated stainless steel lanyard.

7.4 Integration Support Documentation - Per request from customer support (1-800-475-5442)

7.4.1 Proprietary Protocol Documentation for Custom System Integrators

7.4.2 NTCIP Support Documentation for NTCIP System Integrators

7.4.3 Web-Server Protocol Documentation for Web Based Application System Integrators

8. Maintenance

8.1 Scheduled Maintenance

8.1.1 Solar Array - Clean with water and mild detergent as needed.

8.1.2 Battery Bank - Check electrolyte level once each month and add distilled water as needed.
(Note: Not required with Gel-Cell batteries.)

8.2 Preventive Maintenance

8.2.1 Inspect and lubricate axle hubs once per year.

9. Warranty

9.1 Standard Warranty

9.1.1 Bumper to Bumper - Full warranty five (5) years - consult factory for terms & conditions

9.1.2 Solar Panels - Ten years

9.2 Extended Warranty - Consult factory

10. Options

10.1 Battery Charger

10.1.1 Charger type - Switching regulator, constant voltage with automatic switch to maintenance or trickle charge.

10.1.2 Input Voltage - 110 VAC 50/60 Hz (specify 220 VAC 50 Hz for international use)

10.1.3 Available models with typical recharge times.

10.1.3.1 45-Amp - 36 hours (12 batteries), 24 hours (8 batteries), 12 hours (4 batteries)

10.1.3.2 90-Amp - 22 hours (12 batteries), 16 hours (8 batteries), 8 hours (4 batteries)

10.1.3 Battery charger unit shall install in the field with minimum effort.

10.2 Remote Control

10.2.1 General

10.2.1.1 The remote control option shall provide for complete control of all dynamic message sign functions. The remote control option shall, at a minimum, provide for:

- Simultaneously geographically tracking, managing, operating and maintaining a minimum of 1,000 remotely located PCMS units including setting up automatic e-mail notifications/alerts for unit movement, change of displayed message, low estimated runtime, low battery condition, sign panel failures, and pixel failures.

- Sending a message to one or more remote PCMS for immediate display.
- Receiving the message currently displayed on all remote PCMS.
- Managing the message libraries and message schedules & events on all remote PCMS.
- Checking the operating status, including sign panel status, system date & time, battery voltage, estimated autonomy, temperature, unit Up-Time, Current Run-Time, Life-Time Run-Time, and ambient light level of all remote PCMS.
- Reporting and managing NTCIP status of all PCMS.
- Retrieve up to 30 days worth of logged Radar Statistics from units equipped with optional Radar Speed Monitor (see section 10.3 for optional Radar Speed Monitor).
- Provide for the ability to perform various system resets including a complete re-boot/restart of the system for all PCMS.

10.2.1.3 Communication Protocol - Proprietary with complete CRC error detection and correction and full challenge-response password authentication.

10.2.1.4 Data Format - Data is encrypted and compressed for added security and reliability.

10.2.1.5 All operating software for message sign control console and host computer shall be included with basic message sign package (downloadable from www.solartechtechnology.com).

10.2.2 TCP/IP Network Communications (Dynamic or Static IP Address)

10.2.2.1 Data rate - 10/100 Base-T Ethernet

10.2.2.2 Remote control of any networked (IP addressable) PCMS may be achieved from any host computer with Internet connectivity (either with standard NTCIP commands via SNMP or STMP, or with Comamnd Center). Remote control software (Command Center) shall be provided free of charge (downloadable from www.solartechtechnology.com) with unit and function on any host computer, independent of operating system. Control console and remote control software shall incorporate a challenge/response encrypted type password security system to prevent unauthorized access of any networked PCMS.

10.2.3 IP Addressable Cellular Transceiver Operation

10.2.3.1 Wireless modem with up to a 3-Watt cellular transceiver.

10.2.3.2 MNP 2-4 Error Control - Automatic error detection and correction.

10.2.3.3 MNP 5 Data Compression - Higher data rates, shorter connection times.

10.2.3.4 MNP 10EC - Enhanced performance over noisy cellular connections.

10.3 Radar Speed Monitor

10.3.1 General

10.3.1.1 Operating Frequency - 24.15 GHz (K-Band)

10.3.1.2 Antenna Beamwidth - 12° (Circular Pattern)

10.3.1.3 Capture Angle - 16.5° typical (Circular Pattern)

10.3.1.4 Target Speed Range - 5 to 125 MPH (20 to 200 km/h)

10.3.1.5 Target Speed Accuracy - 1 MPH typical

10.3.1.6 Detection Distance - 1,500 Feet (Automobile-size target)

10.3.1.7 Radar unit shall install in the field with minimum effort.

10.3.1.8 Message sign shall be pre-wired and pre-programmed for radar speed monitor option.

10.3.2 Operating Features

10.3.2.1 Target Speed Display - The speed of the target may be displayed as part of any user-created messages, in any character size, in any position in the message. Multiple messages which include target speed can be stored in the message library.

10.3.2.2 Triggered Display - A message may be displayed only when an acquired target exceeds a preset speed threshold. This message may include the display of the target speed. If no target is acquired or if the acquired target is below the preset threshold, the default message will be displayed. Default message can be a blank display.

10.3.2.3 Window Triggered Display - Upper and lower speed thresholds may be preset such that the special message is displayed only when the target speed is above the lower threshold but below the upper threshold. This message can include the display of the target speed. If no target is acquired or if the acquired target is above or below the preset thresholds, the default message will be displayed. Default message can be a blank display. Multiple windows can be programmed each with a different message to be displayed when the acquired target speed is above the minimum speed but below the maximum speed threshold for that particular window. Each of these messages can include the display of the target speed.

10.3.2.4 All necessary software features shall be included with the basic message sign package.

10.3.3 Radar Statistical Data Collection

10.3.3.1 Control Console shall automatically log and record (to a standard USB memory stick) all raw data provided by the radar gun along with basic statistical information about the collected data in 15 minute intervals. The data shall be stored in two CSV (Comma Separated Value) files which may be opened in Microsoft Excel or any other similar spreadsheet type application for viewing, manipulation and analysis. Additionally, the most recent 30 days worth of Radar Statistics (statistical radar data logged every 15 minutes) shall be maintained in the control consoles nonvolatile memory and shall be retrieved remotely via Control Center 3000 - see Control Center 3000 manual for further details.

10.3.3.2 Data Provided

10.3.3.2.1 Raw Data File: (radar_data file) - (Year, Month, Day, Time, Reading) - every reading - readings recorded every 250ms while tracking a target

10.3.3.2.2 Statistical Data File: (radar_statistics file) - (Year, Month, Day, Time, # of Readings, Mean, Median, Mode, Standard Deviation, Lowest Reading, Highest Reading) - based on all readings - readings are taken every 250ms while tracking a target

10.4 Cellular Transceiver & GPS Receiver Module

10.4.1 Integrated into Control Console - proprietary

10.5 Sign Panel Flux-Gate Digital Compass

10.5.1 General

10.5.1.1 Operating Voltage: 8-28 Vdc

10.5.1.2 Input Current: 40 mA @ 12 Vdc maximum

10.5.1.3 Operating Temperature Range: -40C to +65C (-40F to +150F)

10.5.1.4 Shock/Vibration: meets MIL-STD-810 requirements

10.5.1.5 Altitude: 40,000 ft. maximum

10.5.1.6 Reliability: MTBF > 30,000 hours

10.5.1.7 Accuracy: +/-0.5 degrees

10.5.1.8 Repeatability: +/-0.2 degrees

10.5.1.9 Resolution: 0.1 degrees

10.5.1.10 Dip Angle: +/-80 degrees

10.5.1.11 Tilt Angle: +/-16 degrees

10.5.1.12 Response Time: 1 second

10.6 PTZ (Pan Tilt Zoom) Camera System

10.6.1 Camera Mount

10.6.1.1 Camera shall be supported by a mount bolted to the back of the sign panel that is capable of being raised/lowered via a 1,000 lb. capacity automatic brake winch and an extendable mast such that the camera can be raised (from below the top of the sign panel when in the lowered/transport position as to prevent damage to the camera during transport) to a minimum height of 19" above the top of the sign panel (extendable mast full retracted) to a maximum height of 50" above the top of the sign panel (extendable mast fully extended) providing a range of 15 ft. to 17 1/2 ft. above the ground when the sign panel is fully raised to the deployed position. Camera mount shall be bolted to the left-hand side of the sign panel such that it is in the best possible location for viewing all traffic on the roadway upon which the sign is deployed. Mount shall be lockable in both the raised and lowered position via a standard safety pin as to prevent inadvertent movement. Camera shall be easily removable (and installable) via a quick disconnect system for quick and easy removal and/or installation for storage and/or transport as desired for additional safety and/or security.

10.6.2 Camera General

10.6.2.1 Power Supply: DC/AC Inverter - 10-15 VDC Input - 24 VAC (+/-10%) 60Hz Output - 100W

10.6.2.2 Camera: Bosch Autodome 7000 IP 36X Day/Night (Note: see BOSCH AUTODOME 7000 IP Data Sheet for full current details and specifications)

10.6.2.2.1 Imager - 1/4 in. - type Exview HAD CCD (progressive scan)

10.6.2.2.2 Effective Picture Elements - PAL: Approx. 440,000; 752(H) x 582(V) / NTSC: Approx. 380,000; 768(H) x 494(V)

10.6.2.2.3 Lens - 36x Zoom (3.4-122.4mm) F1.6 to F4.5

10.6.2.2.4 Focus - Automatic with manual override

10.6.2.2.5 Iris - Automatic with manual override

10.6.2.2.6 Zoom Movement Speed - 2.1 sec. (min) - 6.0 sec. (max) depending on mode of operation

10.6.2.2.7 Optical Zoom Field of View (FOV) - 1.7 deg. to 57.8 deg.

10.6.2.2.8 Minimum Working Distance - 320mm (wide) to 1500mm (tele)

10.6.2.2.9 Gain Control - Auto/Manual/Max. (-3dB to 28 dB, 2 dB steps)

10.6.2.2.10 Synchronization - Line-Lock (-120 deg. to 120 deg. vertical phase adjust) or int. crystal

10.6.2.2.11 Aperture Correction - Horizontal and vertical

10.6.2.2.12 Digital Zoom - 12x

10.6.2.2.13 Sensitivity - Day Mode (.04 lux to .66 lux) / Night Mode (.0052 lux to .209 lux) depending on operating mode

10.6.2.2.14 Electronic Shutter Speed - NTSC: 1/4 to 1/10,000 sec., 20 steps / PAL: 1/3 to 1/10,000 sec., 20 steps

10.6.2.2.15 Wide Dynamic Range (WDR) - 92 dB (50 dB with WDR Off)

10.6.2.2.16 Signal-to-Noise Ratio (SNR) - >50 dB (Weighting ON)

10.6.2.2.17 Backlight Compensation (On/Off)

10.6.2.2.18 White Balance - ATW, Indoor, Outdoor, AWB Hold, Extended ATW, Manual, Outdoor Auto, Sodium Lamp Auto, Sodium Lamp

10.6.2.2.19 Day/Night - Monochrome, Color, Auto

10.6.2.2.20 Stabilization - On/Off

10.6.2.2.21 Pan Range - 360 deg. continuous

10.6.2.2.22 Tilt Angle - 18 deg. above horizon

10.6.2.2.23 Pre-position speed - Pan: 400 deg./sec. / Tilt: 300 deg./sec.

10.6.2.2.24 Input Voltage: 21-30 VAC, 50/60 Hz or High PoE

10.6.2.2.25 Power Consumption typical - 60W (heaters on) / 24W (heaters off)

10.6.2.2.26 Video Compression - H.264 (ISO/IEC 14496-10), M-JPEG

10.6.2.2.27 Encoding/Streaming - H.264 and MJPEG

10.6.2.2.28 Ingress Protection Rating - IP66

10.6.2.2.29 Operating Temp. - -40F to 131F (-40C to 55C)

10.6.3 Additional Requirements for Camera System Installation and Operation

10.6.3.1 Camera system requires upgrading the Solar Array to a 320W Tilt and Rotate Solar Array

10.6.3.2 Camera system requires upgrading the Battery Bank to a minimum of Eight (8) batteries

10.6.3.3 Camera system requires the installation (and activation) of a separate 4G LTE digital cellular modem router - recommend model is a DIGI TRANSPORT WR44R - P/N: WR44-L500-CE1-RF (4G LTE, Non-Wifi Non-GPS) with separate data service (set up by the owner of the sign/camera system through Verizon, AT&T, Sprint, etc. as appropriate for the installed modem) with sufficient bandwidth and data capacity suitable for remote video streaming/monitoring and control of the camera system. See DIGI TRANSPORT WR44R Data Sheet for more detailed information on the DIGI TRANSPORT WR44R Digital Cellular Modem Router.