



As Reliable as the Sun

Solar Powered 42' Tower Trailer SPTT 4200



42 FOOT TOWER ADVANTAGES

This sturdy platform is powered by a combination of solar panels and batteries for continuous, year-round power. It is capable of providing 950 watt-hours per day of electrical power for a multitude of uses. The all aluminum telescoping tower is anchored by 1/8th inch aircraft cable guy wires for exceptional rigidity and stability, and can be raised to 42 feet.



ABOUT THE TRAILER:

Heavy duty, all steel trailer frame can be towed to any location. Includes sturdy polyethylene fenders and lockable battery compartments. Trailer includes Anti-Theft Battery Frames to protect batteries. Built with a torsion-type suspension for a smooth, stable ride and higher ground clearance. Four 3000 lb. swivel jacks and tongue allow easy leveling and setup.

Trailer is primed with a polyamide epoxy primer for rust and corrosion protection, then finished with an acrylic urethane for durability.



42' TOWER USES:

Made to customize, the 30 Foot Tower can be adapted for a wide variety of uses:

- Security equipment
- Communications station
- Satellite dish
- Weather measurement sensors
- Wi-Fi hotspot
- Remote camera
- Acoustic data collection
- Police traffic control
- Homeland security
- Military zones
- Traffic studies
- Phased-array radar



Solar Powered 42' Portable Tower Trailer

TRAILER

Length Overall	177 inches (449 cm)
Width Traveling	91 inches (231 cm)
Width Operating	139 inches (353 cm)
Height Operating	42 feet (maximum)(1280 cm)
Height Traveling	101 inches (256 cm)
Ground Clearance	13 inches (33 cm) minimum
Weight	2,800 lbs. (1270 kg) approx. (maximum)
Tower Rating.....	Maximum load: 45 lbs. (21 kg)
	Maximum surface area: 5 square feet (4645 sq cm)
Coupler (Class III)	2" (50 mm) ball or 2-1/2" (64 mm) pintle ring
Axle/Suspension	Torq-Flex - independent

ENERGY SOURCE

Operating Voltage	12 volts DC (nominal)
Battery Type	Flooded lead-acid
Number of Batteries	Four batteries standard - 520 amp-hr capacity
Battery Status Indicator	Displays full-charge, normal and, low battery condition
Battery Security	Anti-theft steel battery frame bolted to trailer
Solar Array Construction	Trailer-mounted solar panels in aluminum frame
Solar Array Power Output	320 watt solar array
Solar Charge Controller	Automatic, temperature compensated
Auxiliary Automatic	
Battery Charger	Built-in 45 amp battery charger: recharge in 30 hrs or less
Battery Security	Anti-theft steel battery frame bolted to trailer

Truly solar-powered: Continuous, year-round, uninterrupted power source capable of providing a minimum of 950 watt-hours per day of electrical power (nominal 75 amp hours per day at 12.5 volts DC)

AVAILABLE OPTIONS

- Solar Array Upgrade -- 480 watts
- Auxiliary Battery Charger Upgrade -- 90 amp, 120 volt AC, 55 amp - 230 volt AC, 40 amp - 230 volts AC
- Battery Upgrade -- Flooded, Gel Cell or AGM maintenance-free batteries may be added - up to a total of 16 batteries
- Vandal-Proof Battery Enclosures
- Electric Brakes
- Camera Systems: information about adding camera systems is available upon request
- Power Winch option for hands free tower erection

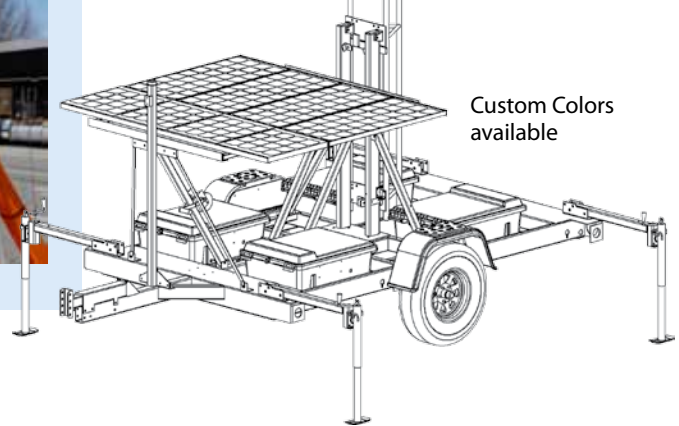


Power winch option



EASY TO TOW AND SET UP

42' Tower comes with a platform, ready to customize. Add on your own sensor, camera, radar or other data collection device, or let Solar Tech mount your device for you.



Custom Colors available



P/N 500-026-010 Rev. E 2015

SOLAR TECHNOLOGY, INC.
7620 Cetronia Rd. Allentown, PA 18106
Phone: 800-475-5442 or 610-391-8600

www.solartechology.com

